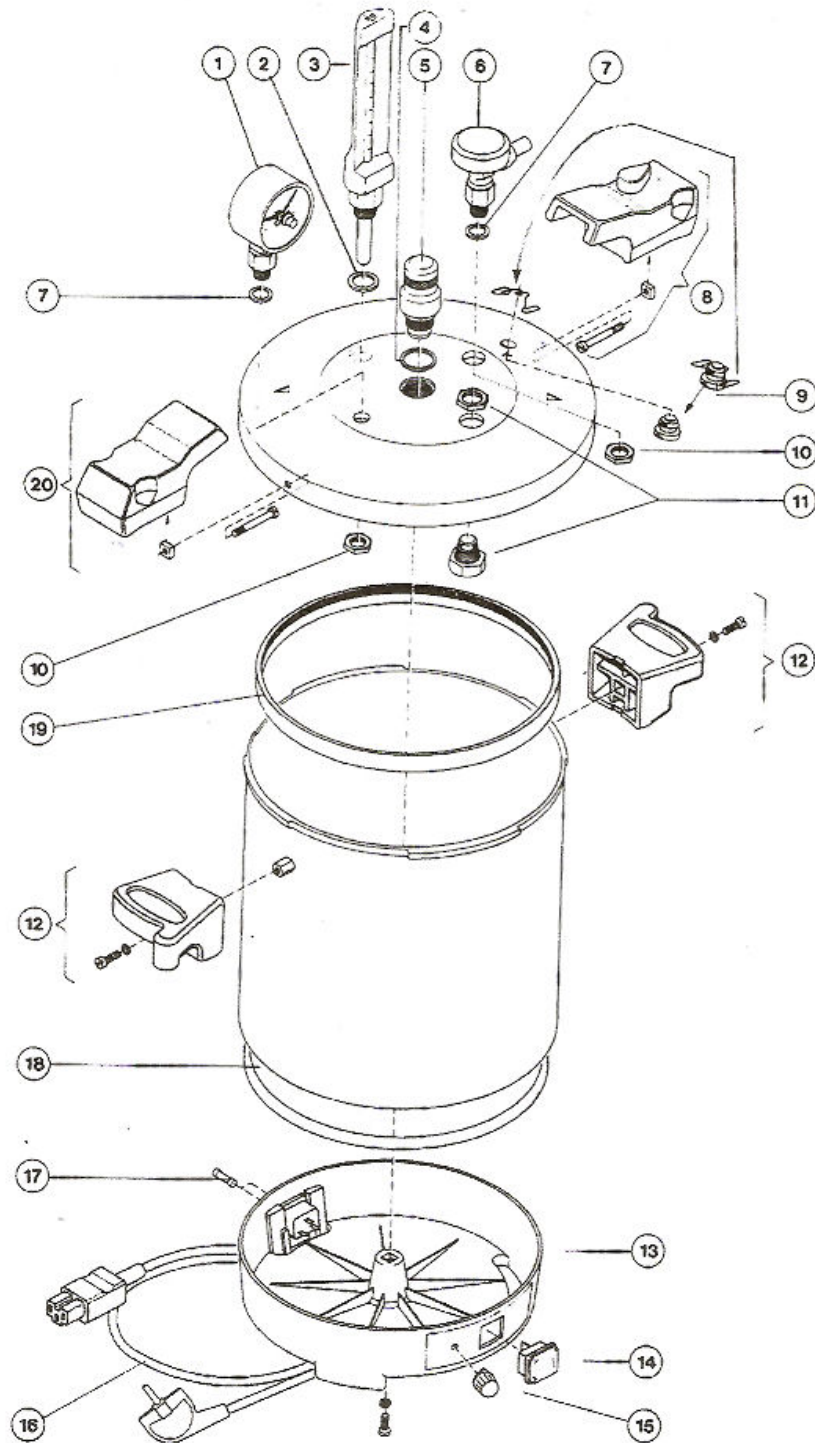


## ΑΝΤΑΛΛΑΚΤΙΚΑ ΓΙΑ ΚΛΙΒΑΝΟΥΣ CERTOCLAV



- |    |         |  |
|----|---------|--|
| 1  | 1250334 | Manometer with maximum indicator, calibrated   |
| 2  | 1250437 | Gasket for Thermometer                         |
| 3  | 1250332 | Thermometer                                    |
| 4  | 1250433 | Gasket for pressure control valve              |
| 5a | 1250304 | Pressure control valve 125°/140°C; 280°F/257°F |
| 5b | 1250302 | Pressure control valve 115°/121°C              |
| 6  | 1250348 | Steam release cock                             |

	1250449	Black knob with screw for Steam release cock
7	1250451	Gasket for Manometer and Steam release cock
8	1250235	Lid handle with locking complete with screw and nut
9	1250242	Steam release valve
10	1250194	Nut for Manometer and Steam release cock
11	1250310	Safety valve with O-Ring, bore 16,2 mm
12	1250237	Handle for chamber with screw
13	1250324	Base with socket for mains cable
14	1250347	Green rocker switch with cover
15	1250329	Adjustment knob thermostat
-	1250338	Thermostat for temperature regulator
16	1250337	Cable with mains plug acc. VDE/IEC, 3 m
17	1250363	Fuse T10 AH, 250V ~only til July 2002 – from August without
17a	1250362	Fuseholder 10 Amps. from August 2002 without fuse
	1240325	Hot Coupler socket complete
-	1250335	Bi-metal fuse
18	1250408	Gasket for black base/chamber
19	1260406	Lid gasket packed 24 cm black
	1260404	Lid gasket packed 24 cm Silicon white
20	1250236	Lid handle with screw and nut
-	1250355	Set of cables complete for CV-EL

## ΠΑΡΕΛΚΟΜΕΝΑ

### WIRE BASKET WITH HANDLE



Stainless Steel 18/8  
 ø 210 mm, height 185 mm  
 Mesch 8 x 8 mm  
 CV 18 L: 2 x 8583010  
 + 1 x Plate Aluminium 20



### TRIPOD

Height 45 mm  
 Used together to avoid materials coming into contact with the bottom or water.



### INSTRUMENT TRAY

ø 215 mm,  
 Stainless Steel



### **CONDENSATION LID**

With drying insert, only to be used together with instrument basket or -holder Aluminium.